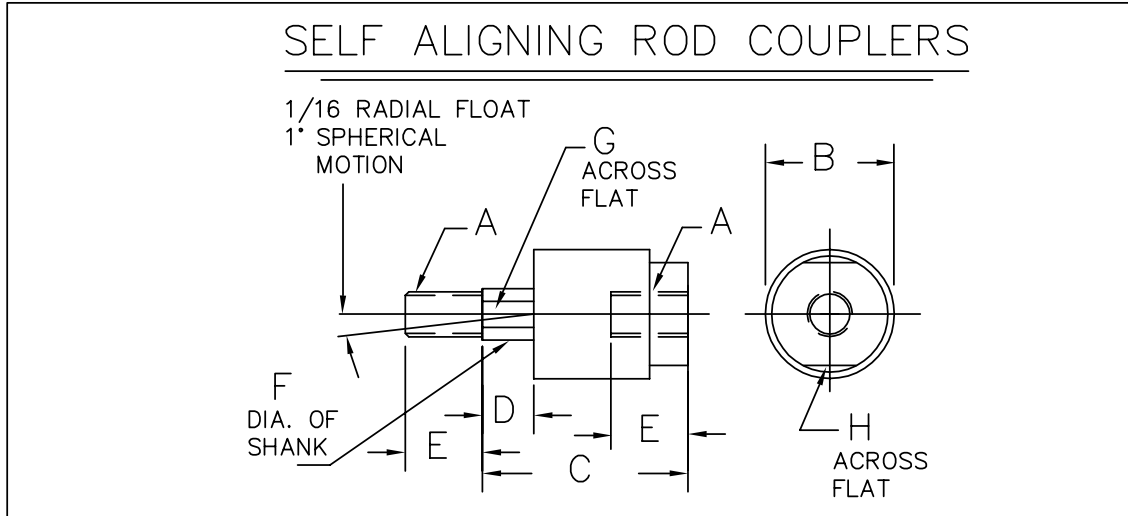




SELF-ALIGNING ROD COUPLERS

This accessory is used when precise stroke alignment of the installed cylinder is questionable. Installation is simplified, assembly costs are reduced, and cylinder life is extended because wear is reduced on rod bearing and seals.



DIMENSIONS

MODEL NO.	A	B DIA.	C	D	E	F DIA.	G	H	MAX # PULL AT YIELD
B-947-1	1/4-28	7/8	1 1/4	1/4	5/8	.245	3/16	13/16	4,000#
B-947-2	5/16-24	7/8	1 1/4	1/4	5/8	.308	1/4	13/16	4,000#
B-947-3	3/8-24	7/8	1 1/4	1/4	5/8	.370	5/16	13/16	5,000#
B-947-4	7/16-20	1 1/4	2	1/2	3/4	.62	9/16	1 1/8	10,000#
B-947-5	1/2-20	1 1/4	2	1/2	3/4	.62	9/16	1 1/8	14,000#
B-947-6	5/8-18	1 1/4	2	1/2	3/4	.62	1/2	1 1/8	14,000#
B-947-7	3/4-16	1 3/4	2 5/16	1/2	1 1/8	.97	7/8	1 1/2	34,000#
B-947-8	7/8-14	1 3/4	2 5/16	1/2	1 1/8	.97	7/8	1 1/2	34,000#
B-947-9	1-14	2 1/2	2 15/16	1/2	1 5/8	1.38	1 1/4	2 1/4	64,000#
B-947-10	1 1/4-12	2 1/2	2 15/16	1/2	1 5/8	1.38	1 1/4	2 1/4	64,000#
B-947-11	1 3/8-12	2 1/2	2 15/16	1/2	1 5/8	1.38	1 1/4	2 1/4	64,000#
B-947-12	1 1/2-12	3 1/4	4 3/8	13/16	2 1/4	1.75	1 1/2	3	120,000#
B-947-13	1 3/4-12	3 1/4	4 3/8	13/16	2 1/4	1.75	1 1/2	3	120,000#
B-947-14	1 7/8-12	3 3/4	5 7/16	11/16	3	2.25	1 7/8	3 1/2	240,000#
B-947-15	2-12	3 3/4	5 7/16	11/16	3	2.25	1 7/8	3 1/2	240,000#
B-947-16	2 1/4-12	6 3/4	6 3/8	N/A	3 1/2	2.75	2 3/8	2 7/8	397,000#
B-947-17	2 1/2-12	7	6 1/2	N/A	3 1/2	3.25	2 7/8	3 3/8	495,000#
B-947-18	2 3/4-12	7	6 1/2	N/A	3/12	3.25	2 7/8	3 3/8	603,800#
B-947-19	3-12	7	6 1/2	N/A	3 1/2	3.25	2 7/8	3 3/8	723,400#
B-947-20	3 1/4-12	9 1/4	8 1/2	N/A	4 1/2	4.00	3 3/8	4 1/2	853,800#
B-947-21	4 1/4-12	12 7/8	11 1/4	N/A	4 1/2	5.50	4 7/8	7	1,483,400#

N/A = NOT APPLICABLE TO THIS SIZE